

## ALKDEADE3(finish) ATLANTIC<sup>®</sup> EURO DEADLOCK

Product Code	ALKDEADE3(finish)	
Product Name	ATLANTIC <sup>®</sup> Elite CE Certifire Euro Deadlock 3"	
Product Description	Atlantic Elite CE Certifire Bolt Through Euro Deadlock 3 inch - FD 30/60	
Product Base Material	Pressed Steel	
Available Finishes	Antique Brass(AB)	Polished Chrome (PC)
	Antique Copper (AC)	Polished Nickel (PN)
	Black Nickel (BN)	Satin Brass (SB)
	Distressed Silver (DS)	Satin Chrome (SC)
	Matt Antique Brass (MAB)	Satin Nickel (SN)
	Matt Black (MB)	Urban Bronze (UB)
	Matt Gun Metal (MBN)	Urban Dark Bronze(UDB)
	Polished Brass (PB)	

**Other Information** To be cleaned using a soft damp cloth. Chemicals, solvents or abrasives will damage the applied finish. Supplied with wood screws.  
10 Year Mechanical Guarantee subject to fitting requirements.  
Suitable for Fire Doors FD30/60

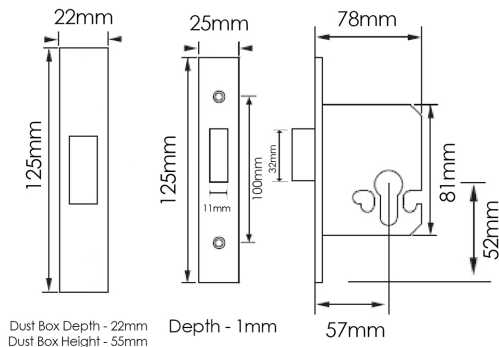
### Dimensions



CE Marked



BS EN 12209



ALKDEADE3  
Atlantic Euro Deadlock  
Back Set: 57mm  
Face Plate Size: 125mm x 25mm  
Dust Box: Yes

### Product Image



Product Finish Pictured: Urban Bronze (UB)

### Care of Finish

In the unusual event of this product failing mechanically, we will replace it free of charge, providing you can supply us with the faulty product and a receipt to show proof of purchase. If the items are not fitted in accordance with the fitting instructions, in a correct application, this may not apply.

Products have an applied finish, and we do recommend regular cleaning with a soft cloth. If necessary, you may moisten the cloth, with water. If this is not effective in removing accumulated deposits, try using a PH-neutral soap on a soft cloth, then remove the soap immediately after application, with the help of a clean, moist, soft cloth. Under no circumstances should you use an abrasive/hard tool, chemical, acidic or abrasive substance to clean these products. This will break down the applied finish. The finish may chip or scratch if subjected to impact from sharp items such as keys and jewellery. Atlantic UK retains the right to send items away for chemical testing to analyse if the product has come into contact with any abrasive or chemical substance before issuing replacements.

Please be aware that in environments where there are high concentrations of chemicals in the air, for example from the use of low-quality paint or corrosive agents, corrosion and damage may occur to the surface of the product. Products should therefore not be fitted in such environments, until the high concentration of chemicals in the air has subsided.

*the finish matters*